

Description

A highly reliable and legible readout capable of maintenance free operation for years in harsh environments (IP65 - Nema 4x). Low power consumption yields longer life and lower lifetime cost.

The stainless steel front will elegantly fit any office environment as well as outdoors in an industrial plant.

LCD is used for extended product life and discreet display compared to LED systems.

Delivered complete for normal use. Additional selection of options such as other interfaces, power and mounting hardware is available.

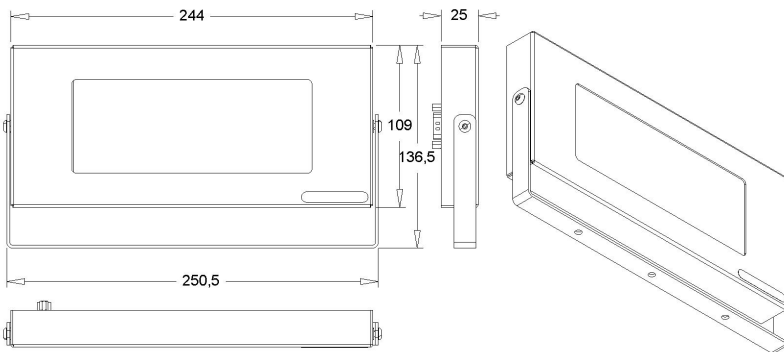
Quick Data

DISPLAY CHARACTERISTICS

Character height	45 mm
Number of digits	6 numerics
Resolution	Seven segments plus colons and decimal points
Technology	Transflective positive TN LCD
Designator	Optional permanent label sticker (eg. kg, t, rpm, °C, pH)
Backlight	White LEDs
Power	Max. 2.5W

MECHANICAL

Size casing	244 mm x 109 mm x 25 mm (l x h x d)
Size inc. bracket	255 mm x 137 mm x 25 mm (l x h x d) + connector
Materials	1 mm stainless steel, AR coated front.
Protection	IP65 waterproof housing, guaranteed for unprotected outdoor use and hose down washing.
Operating temp.	-35°C to +65°C (intermittent up to +80°C)
Weight	1 kg net, Shipping: 1,4 kg 33 x 24 x 7 cm



Measurements are shown in metric mm

©2013 Norsk Display AS: This leaflet is not complete without a specific manual for all installed electronic cards.

ND7017A : 45 mm LCD Numerical Display



- Reading distance 1 to max10m
- low power (0.01 to 2.5W) with backlight
- IP65 and wide temperature range
- perfect in direct sunlight - and at night

Data+User's Guide

Ordering

N6/1-45-BL (Numeric **6** digits / **1** line - **45** mm height - **BackLight**)

Standard configuration is:

- Serial data controller (RS-232, RS-485 and TTY20mA)
- Power requirement: regulated 24VDC (no backlight: 7 to 21V)
- Wall- ceiling/roof mounting U-bracket.
- 9 pin D-sub connector on the back



Power Options

- Ext 100-240VAC
- Ext power-over-Ethernet
- Solar

Interface Options

- External:**
- Ethernet 10/100
 - WiFi
 - A/D 20mA (4..20mA)
 - Counter Up/Down
 - Time/Date GPS
 - Temperature (digital)

Mechanical Options

- Sticker/label (°C,m,%,..)



©2013Aug29 Norsk Display AS

Norsk Display AS
Tel: (+47) 3288 7000
Fax: (+47) 3288 7001
sales@norskdisplay.com

Mechanical Mounting

1

Mounting the display should be quite straightforward, just make sure every fitting is properly tightened. Safeguard the installation to avoid health hazards!

You need to supply:

Fasteners for your specific needs, e.g: wood screws, straps to go around the pole

Tools

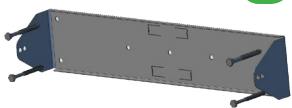
2

- Torx 20



Wall Mounting

3a

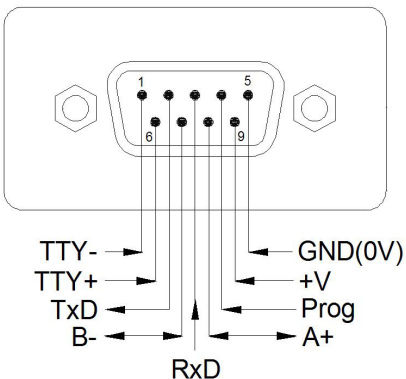


Screws must be supplied by the installer (typ M4x30mm).

3b

Pinout and Connections

E



Pin 9	+V DC External Power
Pin 5	0V for External Power
Pin 8	+A RS-485/422 transceiver
Pin 7	-B RS-485/422 transceiver
Pin 6	+TTY Input (20 mA)
Pin 1	-TTY Input (20 mA)
Pin 3	RxD RS-232 input
Pin 5	RS232 gnd
Pin 2	TxD RS-232 output
Pin 4	Programming input (Use PC utility program for set up)

Electrical Installation

A



The enclosure must be connected to Protective Earth. This is vital for safe operation. Failure to observe correct grounding may cause serious injury.

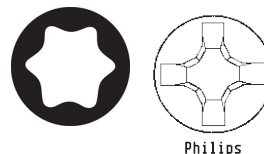
Grounding is further vital for full CE compliance and must be provided for correct operation.

Disconnect power when servicing the display.

Tools

B

- Torx 20
- Philips #2/1



Cable Dimensions

C

- Solder cups 9pin D-sub plug
- Keep ground leads short

Controller

D

- Standard serial ND 5101 Controller
- For all others, see specific information on connection and use.

Lower Power

E

If you need lower power, adjust the voltage to 8..15Vdc. This way the backlight will be switched off while the display is fully functional.

Labels

- Any designator sticker

stk % °C mm

Feedback

We appreciate any feedback. Good or bad; it will help us serve you better.

Suggestions or critical remarks are best sent to the support email.

Option

- Universal external power ND4205-100mm (plug type)

Option

- External Ethernet and PoE ND5129



Support

- Free protocol adaption for your equipment!
- Help during installation

support email:
sales@norskdisplay.com
Tel: [+47] 3288 7000