

Description

A highly reliable and legible readout capable of maintenance free operation over years in harsh environments (IP65 - Nema 4x). Low power consumption yields longer life and lower lifetime cost.

The stainless steel front will elegantly fit any office environment as well as outdoors in an industrial plant.

LCD is used for extended product life and discreet display compared to LED systems.

Delivered complete for normal use. Additional selection of options such as other interfaces, power and mounting hardware is available.

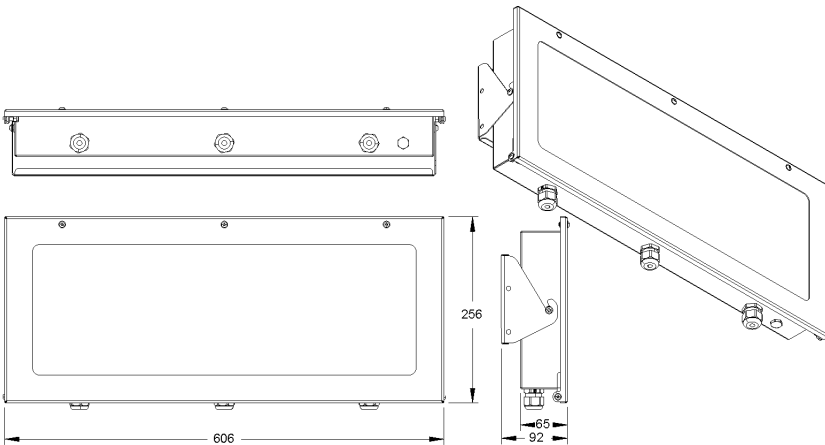
Quick Data

DISPLAY CHARACTERISTICS

Character Height	140 mm
Number of digits	6 plus a designator display
Resolution	Seven segments plus colons and decimal point
Technology	Transflective positive TN LCD
Designator	Auto or Permanent label sticker (eg. kg, t, rpm, °C, pH) (backlit)
Backlight	White LEDs
Power	Max. 4W

MECHANICAL

Size casing	600 mm x 240 mm x 60 mm (l x h x d)
Size inc. bracket	600 mm x 240 mm x 80 mm (l x h x d)
Materials	1.25 mm stainless steel, AR coated glass. Back is laquered 1,5mm aluminium
Protection	IP65 waterproof housing, guaranteed for unprotected outdoor use and hose down washing.
Operating temp.	-35°C to +65°C (intermittent up to +80°C)
Weight	5 kg net, Shipping: 5,5 kg 70 x 30 x 13 cm



Measurements are shown in metric mm

©2011 Norsk Display AS: This leaflet is not complete without a specific manual for all installed electronic cards.

©2012Aug20 Norsk Display AS

ND7041 : 140 mm LCD Numerical Display



- Reading distance 1 to 40m
- low power (0.01 to 4W) with backlight
- IP65 and wide temperature range
- perfect in direct sunlight - and at night

Data+User's Guide

Ordering

N6+1/1-140-BL (**N**umeric **6** digits + **1** units/ **1** line - **140** mm height - **BackLight**)

Standard configuration is:

- Serial data controller (RS-232, RS-485 and TTY20mA)
- Power requirement: regulated 12-24VDC
- Wall- ceiling/roof- and pole mounting prepared.
- 3 x M20 cable inlets for cable dimensions $\varnothing=6$ to 13mm



Power Options

- 100-240VAC 50/60Hz
- Power-over-Ethernet
- Solar

Interface Options

- Ethernet 10/100
- WiFi
- A/D 20mA (4..20mA)
- Counter Up/Down
- Time/Date GPS
- Temperature (digital)

Mechanical Options

- Out-from-Wall Mount
- Ceiling Suspension
- Sticker/label (°C,m,%,...)



Norsk Display AS
Tel: (+47) 3288 7000
Fax: (+47) 3288 7001
sales@norskdisplay.com

Mechanical Mounting

1

Mounting the display should be quite straightforward, just make sure every fitting is properly tightened. Safeguard the installation to avoid health hazards!

You need to supply:

Fasteners for your specific needs, e.g: wood screws, straps to go around the pole

Tools

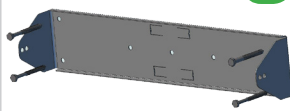
2

- Torx 20 + 25 + 30



Wall Mounting

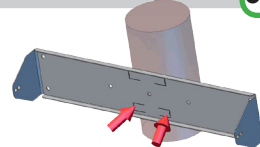
3a



Screws must be supplied by the installer (typ 6x50mm).

Pole Mounting

3b



Press tags to fit. Use 2x steel straps to fix. User supplied.

Electrical Installation

A



The enclosure must be connected to Protective Earth. This is vital for safe operation. Failure to observe correct grounding may cause serious injury.

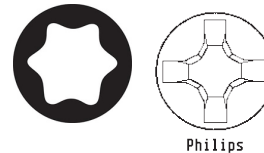
Grounding is further vital for full CE compliance and must be provided for correct operation.

Disconnect power when servicing the display.

Tools

B

- Torx 20 + 25
- Philips #2/1



Cable Dimensions

C

- \varnothing 6..13mm outer dia
- conductors 0,2-0,75mm² (AWG 24 to AWG18)
- Keep ground leads short



Cable Glands

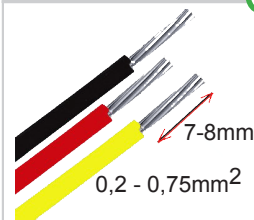
D

- M20x1,5 is used
- Hand tighten
- Block unused glands!

Tip: use strips for extra pull-out protection

Dismantling

E



Controller Connection

F

- Follow directions in separate Users Guide for the installed card

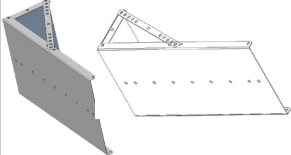
Option: AC Power

G

Order code:
ND5132-140mm

Option

- Out-from-wall ND7044 (adjustable angle)



Labels

- Any designator sticker

You may place the designator in the last window. This way it will be backlit.

pcs
stk % °C mm

Feedback

We appreciate any feedback. Good or bad; it will help us serve you better.

Suggestions or critical remarks are best sent to the support email.

Option

- Universal internal power ND5132-140mm

Option

- Ethernet and PoE ND5129



Support

- Free protocol adaption for your equipment!
- Help during installation

support email:
sales@norskdisplay.com
Tel: [+47] 3288 7000